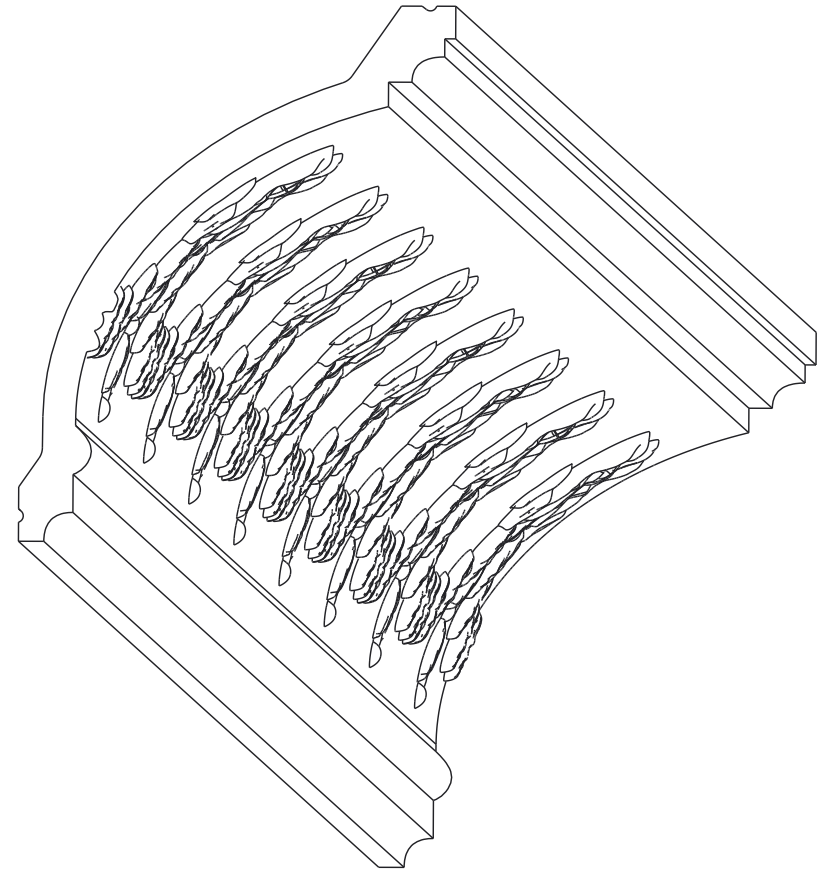



SCALE 1:1



SCALE 1:2

<small>— ROHS —</small> Parts must be compliant to rohs regulations. If any notification on drawing is in contradicm with ROHS regulations, contact Orac before delivery!	<h1>Orac</h1> <p>Biekorfstraat 32 8400 Oostende - Belgium Tel +32 (0)59 80 32 52 Fax +32 (0)59 80 28 10 www.oracdecor.com</p>		All dimensions are in mm unless otherwise specified	Part name: C218-PROD-MM Part description:	
	Drawing properties Drawn with: Creo 2.0 Page size: A4 Page scale: 1:1 Sheet nr: 1 / 1 Projection: 		Material: PUROTOUCH Remarks:	Drawn by: Anton Smolko Drawn on: 15-Jul-2014	
All information in this document is Orac's exclusive property. It may in no case be reproduced, even partly, be communicated to a third party or used for any possible purpose without ORAC's express written permission.				Rev:	Painted Surface : 22,9 dm ² /m